

16-Mbyte RAM SIMM Installation — (4685F16)

Only proprietary Tektronix RAM SIMMs will operate correctly in the Phaser 480X Color Printer.

Static electricity precautions

- Leave the printer plugged into its power outlet; this preserves a ground path for static discharges.
- Touch the printer's bare metal frame often to discharge static electricity from your body.
- Handle the circuit board(s) by their edges only.
- Do not lay the board(s) on a metal surface.
- Make the least possible movements to avoid generating static electricity.
- Avoid wearing wool, nylon or polyester clothing; they generate static electricity.

On-site installation

Professional, on-site installation is just a phone call away. Productivity is important to your business success – so when you need it done right – the first time – call Tektronix. Tektronix' on-site installation delivers what you've been looking for: expert service technicians who provide quality, on-site product installation. In the United States and Canada, call 1-800-835-6100.

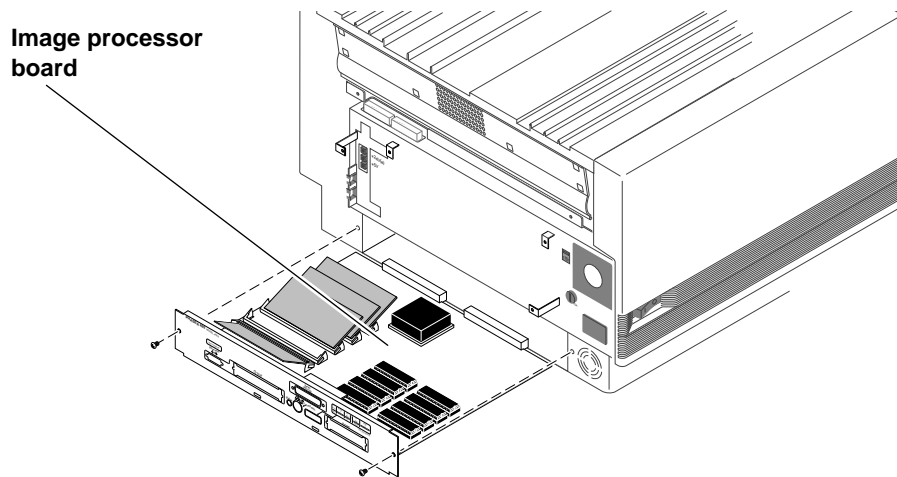
Phaser 480X installation

Note The image processor board features four RAM SIMM connectors: J5, J6, J7 and J8. J5 must be filled with a 32-Mbyte RAM SIMM. The remaining slots may be filled with 32-Mbytes SIMMs and only one 16-Mbyte RAM SIMM as explained in the following table.

Phaser 480X RAM SIMM configurations

Total RAM installed	SIMM1 (J5)	SIMM 2 (J6)	SIMM 3 (J7)	SIMM 4 (J8)
32 Mbytes	32-Mbyte SIMM	empty	empty	empty
48 Mbytes	32-Mbyte SIMM	16-Mbyte SIMM	empty	empty
64 Mbytes	32-Mbyte SIMM	32-Mbyte SIMM	empty	empty
80 Mbytes	32-Mbyte SIMM	32-Mbyte SIMM	16-Mbyte SIMM	empty
96 Mbytes	32-Mbyte SIMM	32-Mbyte SIMM	32-Mbyte SIMM	empty
112 Mbytes	32-Mbyte SIMM	32-Mbyte SIMM	32-Mbyte SIMM	16-Mbyte SIMM

1. Turn off the printer.
2. Disconnect all host computer interface cables connected to the printer.
3. Remove the two screws securing the image processor board in place. Carefully, grasp *underneath* the rear panel and slide the image processor board out of the printer. *Do not pull on the connector bails.*

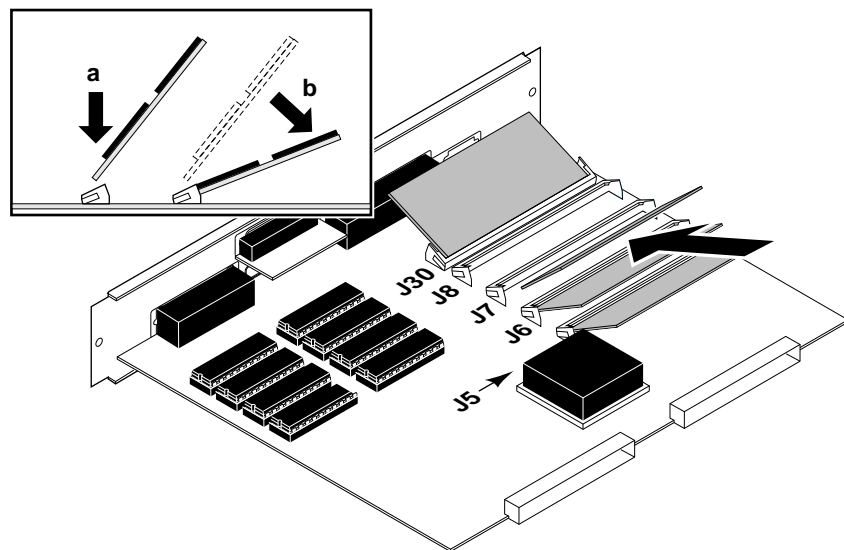


8850-31

4. Locate the SIMM sockets J6, J7 and J8. Ensure that a 16 Mbyte SIMM is not already installed; only *one* 16 Mbyte is allowed in the Phaser 480X. (A 16-Mbyte RAM SIMM can be recognized by a bar code label with the part numbered 671-3133-00).

Install the keyed SIMM in connector J6 (**a**), (or J7 if J6 is already filled with a 32-Mbyte RAM SIMM or J8 if J6 and J7 are already filled with a 32-Mbyte RAM SIMM) and tilt the SIMM down until it locks in place (**b**).

When properly inserted, a tab on each end of the connector slips into a hole on each end of the SIMM. Also, a pawl on each end of the connector latches around each end of the SIMM to lock it in place.



8850-32A

Caution Do not insert a RAM SIMM in the Ethernet card connector J30; if you do so, the RAM SIMM and printer will be damaged upon power-up.

5. Reinsert the image processor board into the printer.
6. Reconnect the host interface cables. Turn on the printer and print a startup page. The startup page lists the amount of installed RAM. Refer to the *Phaser 480X Color Printer User Manual* for instructions on printing the startup page.